

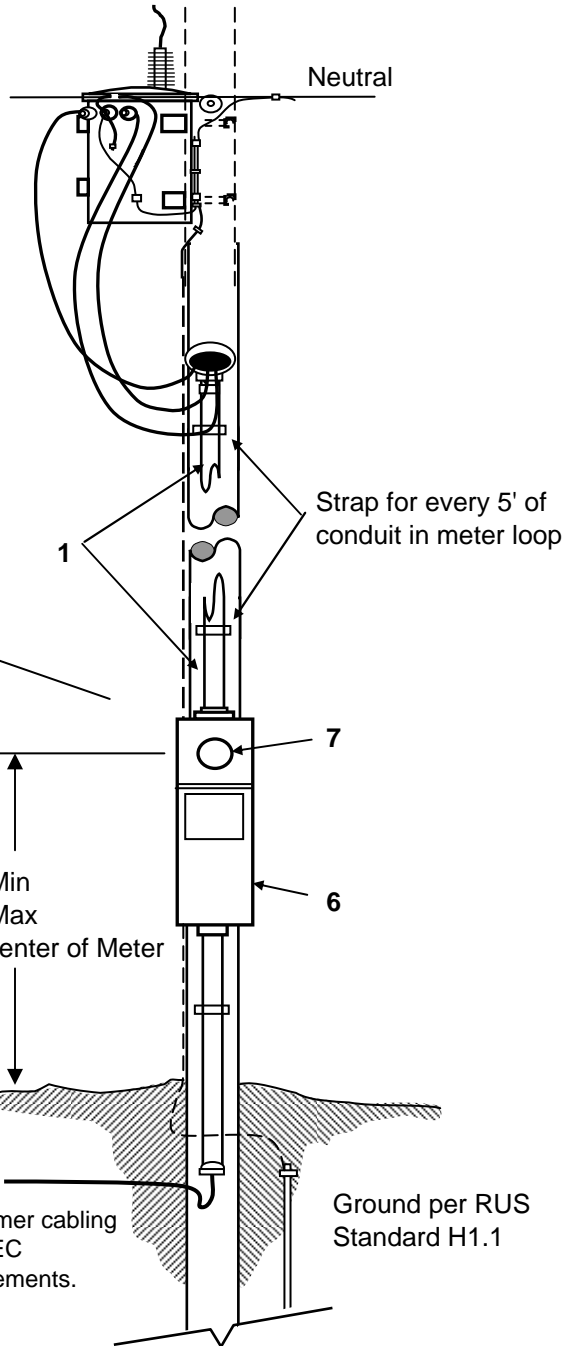
1. All clearances and protective devices to be in conformance to the most stringent requirements of either the NESC, NEC or other codes of governmental or regulating authorities as applicable.

2. If length of conduit exceeds 10 feet, coupling is permitted on end adjacent to meter.

3. Guy pole as required.

4. Meter loop assemblies are available from 10' to 35' in increments of 5'. Match assembly length to meter pole call-out.

5. Add transformer trainer brackets as required.



### MATERIALS LISTING

ITEM	DESCRIPTION	QTY	UNIT	PREC #
1	200A Single-Phase Meter Loop Assembly	1	Ea.	8310-*
2				
3				
4				
5				
6	4-Terminal 200A Meter Box with 200A Breaker	1	Ea.	9182
7	Form 2S Class 200 240V 3-Wire 1Ø Meter	1	Ea.	

Design Parameters:  
 > See notes 1 through 5 above.  
 > \* Add required loop length.  
 > Meter loop assemblies are available in lengths 10' to 35' in 5' increments.

**120/240V 200A Self Contained Service (25kVA Transformer)  
 3-Wire Down Loop Mounted on Transformer Pole**

4/17/2008

Rev. 0



**Q1.1-02PSC\***